

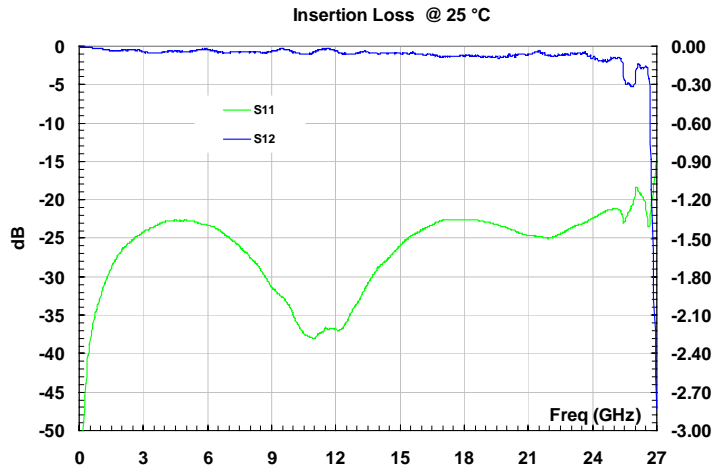
## Product Description: LSMAFR1G (DC – 24.0 GHz Field Replaceable SMA Connectors)



LiConn has developed the high performance and high quality field replaceable super SMA connectors for RF and microwave applications where the OEM quality and performance but low cost are required.

The connectors can be used in varieties of circuitries such as amplifiers, filters, and subsystems. The connectors are designed to meet MIL-STD-202g.

### Key Performance



- DC ~ 24.0 GHz
- < 0.10 dB I.L. @ 24 GHz
- Resonant Free Beyond 24 GHz
- < 1.22:1 VSWR
- Take 0.016" ~ 0.020" Center Pin
- Field Replaceable
- RoHS Compliant
- -54 ~ +125 °C Operation
- Stainless Steel or Gold Plating Body

### Ordering Information

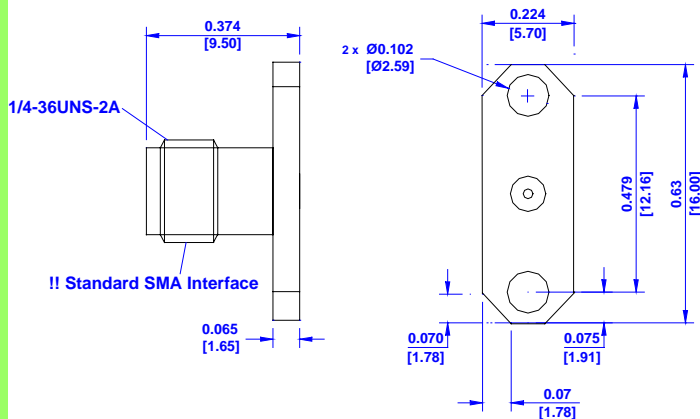
Model Number	Center Pin	F <sub>MAX</sub> (GHz)	Body Type
LSMAFR1G24	0.016"-0.020"	24	Gold Plating
LSMAFR1S24	0.016"-0.020"	24	Stainless Steel
LSMAFR1G12	0.016"-0.020"	12	Gold Plating
LSMAFR1S12	0.016"-0.020"	12	Stainless Steel

### Absolute Maximum Ratings

Parameters	Units	Ratings
Dielectric Withstand Voltage	V	1000
Insulation Resistance	Ohm	5000
Minimum Self Resonance	GHz	27
Maximum RF Average Power	W	150
Storage Temperature	°C	-55 ~ +150
Operating Temperature	°C	-54 ~ +125

*\*Operation beyond any one of these parameters may cause permanent damage.*

### Outline



### Part Number

