

Product Description: LC0402A103JT (DC – 6.0 GHz Super Low Loss Large Value Capacitor)

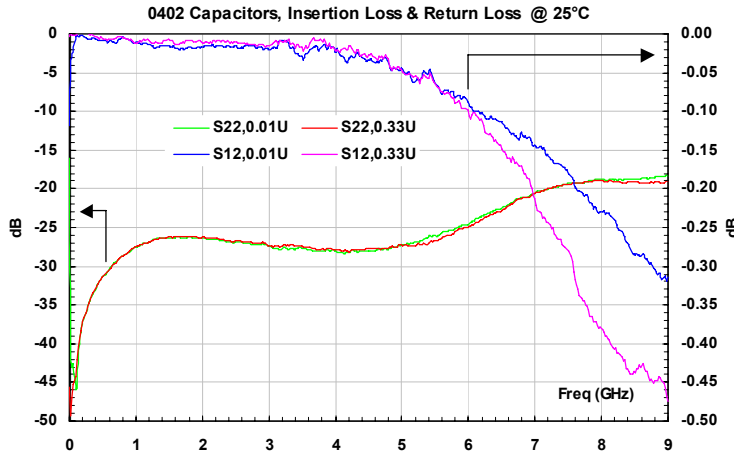


Outline:
0402: 0.04" x 0.02" x 0.02"
 [1.0mm x 0.5mm x 0.5mm]
0603: 0.06" x 0.03" x 0.03"
 [1.5mm x 0.75mm x 0.75mm]

LiConn has developed the excellent large value RF and microwave capacitor in 0402 and 0603 sizes with low cost. The capacitors offer the best solutions on the market for DC blocks, de-couplings, and EMI filtering.

The capacitors can be used in varieties of circuitries such as amplifiers, mixers, oscillators, and subsystems. The capacitors are designed to meet MIL-STD-202g.

Key Performance



- DC ~ 6 GHz
- 0.05 dB I.L. @ 5 GHz
- Resonant Free Beyond 9 GHz
- 25.0 dB Return Loss
- 50 V Rated DC Voltage
- 0402 or 0603 Size
- RoHS Compliant
- MLS-1 Moisture Sensitivity Level
- Standard SMT Technology

Ordering Information

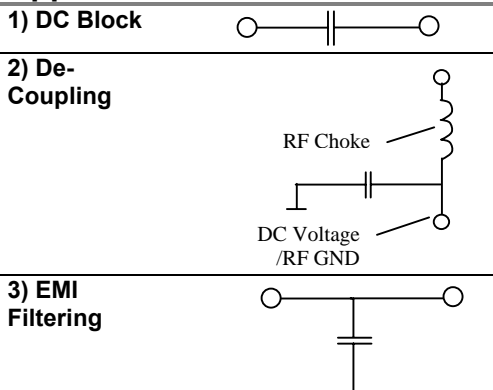
Model Number	Size	Value (µF)	Type
LC0402A103J-	0402	0.01	X7R
LC0603A103J-	0603	0.01	X7R
LC0402A334K-	0402	0.33	X5R
LC0603A334K-	0603	0.33	X7R

Absolute Maximum Ratings

Parameters	Units	Ratings
DC Power Supply Voltage	V	50
RF Power as DC Block	W	10
Minimum Self Resonance	GHz	6.0
Channel Temperature	°C	150
Peak Reflow Temperature	°C	260
Storage Temperature	°C	-65 ~ +150
Operating Temperature	°C	-54 ~ +125

*Operation beyond any one of these parameters may cause permanent damage.

Applications



Part Number

